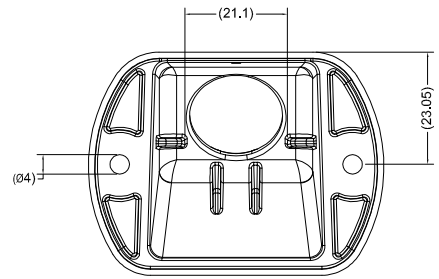
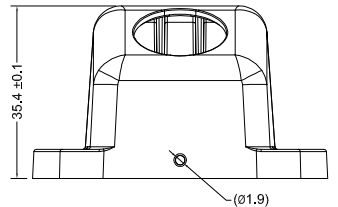
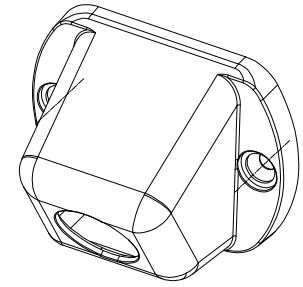
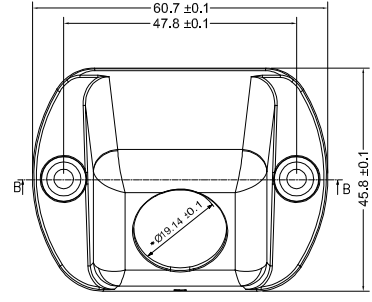
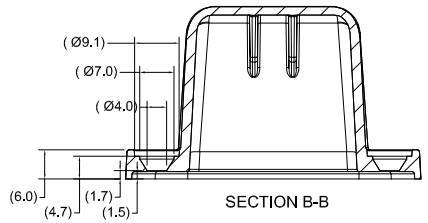


Revision Notes:				
R1 - SPARE PART RELEASE PACKAGING INFORMATION ADDED TO NOTES AS PER ESA37.				
APA: Y.J.LEE	Drawn:R.BATES	Checked:MBUTLER	Approved:D.WALLIN	Date: 19/05/16



- NOTES
1. MATERIAL CAST ALUMINUM ALLOY.
 2. FINISH GLOSS GRAY POWDER COAT.
 3. HOUSING SHOULD BE PROVIDED IN A SUITABLE SIZED BAG.
 4. WHEN SUPPLIED AS A SPARE PART, FOR GIFTBOX LABEL REFER TO LATEST REVISION OF DRAWING BE-002640-XX-13.
 5. WHEN SUPPLIED AS A SPARE PART, TO BE PACKAGED IN A 90mmx125mm CLEAR PLASTIC BAG.



PROPRIETARY NOTICE
 THIS DESIGN AND TECHNICAL INFORMATION APPEARING ON THIS DRAWING IS THE PROPERTY OF BRIGADE ELECTRONICS, AND IS DISCLOSED IN CONFIDENCE. IT IS NOT TO BE COPIED, REPRODUCED, REVEALED TO OR EXPROPRIATED BY OTHERS, EITHER IN WHOLE OR IN PART WITHOUT THE EXPRESS WRITTEN CONSENT OF BRIGADE ELECTRONICS.

BRIGADE[®]
 www.brigade-electronics.com

Assembly PI Approval Y.J.LEE 13/11/13	Approved by G.PLITH	Checked by R.BATES	Drawn by P.MISSEN
Angle of Projection 	Units mm	Scale N/A	Released 00/00/00
	Status RELEASED	Assembly Ref BN360-100C-HI	
	Part No 4488	BE-002585-01-13	